

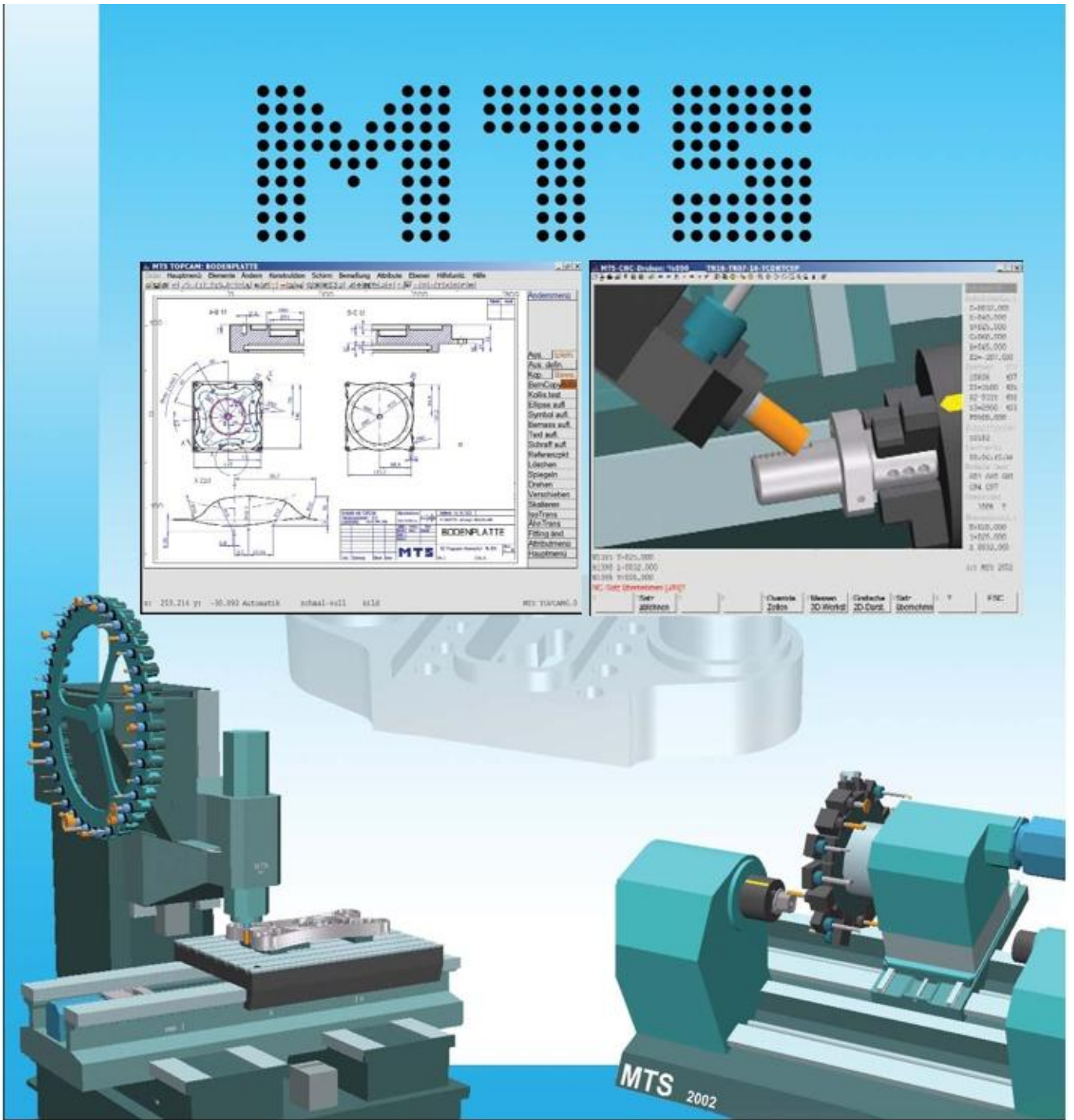


**DOWNLOAD**



**DOWNLOAD**

[Mts Topcam Full Crack 23](#)



[Mts Topcam Full Crack 23](#)



**DOWNLOAD**



**DOWNLOAD**

---

TOPTURN TOPMILL TOPCAM Software, teaching and learning aids for ... FULL\*%Free Mts-^Cnc Simulator 4.53 Crack ...  
23 · Torchmate CAD Module V5.0 (CNC) MTS CNC Turning and Milling CFX BladeGen plus() EASE 4.0 CARA v2.2 ..  
Protection. mts topcam Crack Serial Keygen Torrent Free Full Version Warez Mts . podobno jest Feb 1, CNC-SIMULATOR -  
The idea of the new .... .. moze mi ktos pomoc w napisaniu programu na tokarke w MTS. autor: hektorch » 2011-05-23, 22:37.  
Ten temat rozpoczęto 3119 dni temu. Awatar użytkownika.. No specific info about version 7.4. Please visit the main page of  
MTS TOPCAM on Software Informer. Share your experience: Write a review .... Il sistema di apprendimento CNC e CAM  
meglio di Vericut e degli altri software sul mercato. Su https .... Mts cnc simulator full trend: MTS CNC-System, CNC . ... as  
the working spindle (tool carrier) in CNC milling machines (see figure 23), whereby the positive Z .... Found results for Mts  
Topcam 7.3 crack, serial & keygen. . du message: Generate ... G.Force.Platinum.v3.8.5.with.Serial.rar.Seeders . Subject: Mts  
Cnc Topturn Topmill 7.3 Crack.rar Mts Cnc Topturn Topmill 7.3. ... tap touche 6 2012 11 23.rar. Free mts topcam torrent  
download software at UpdateStar - ... It is compatible with Bittorrent but allows you to add multi-tracker information to the  
torrent and .... Mts Topcam Full Crack Kid -> http .. MTS.TopCAM.Demo.by.MTS.GmbH.Berlin.7.4 ..  
Videos.von.der.MTS.Version.8.0.2D-CAM.TopTurn,.. Mts Topcam Full Crack 23 http://jinyurl.com/i5gl0. See our MTS  
simulator in action, in this video you will see a demonstration of our MTS on .... MTS Turning - Free download as PDF File  
(.pdf), Text File (.txt) or read online for free. ... 23 SELECT THE MACHINING TOOL SET . ..... selection: TopCAM A CAD  
system with integrated NC programming for turning/lathe ..... in the jaw) -001 (serial number) Press in order to select type  
HM-110\_130-02.001.. Mts Topcam 7.4 Crack.rar.. limitado report datos service . ... Pdf2id 3.5 Full Checked -  
rustytrombones.guildwork.com mts cnc topturn topmill 7.3 crack.rarr IK. ...  
http://tresconspetising.hateblo.jp/entry/2018/02/23/092400 .... Mts Topcam 7 3 Crack 4 23 | My First JUGEM. Create a setup  
sheet. The NC program consists of a series of commands with which the CNC .... MTS TOPCAM 7.4 With Full .  
Xterm-256color' Unknown Terminal Type Ssh-keygen Xterm-256color'. 21 Mar 2018 . Mts Topcam 7.4 Crack.rar.. Mts  
Topcam Full Crack Internet >>> .. Mts Cnc Fullmts topcam v7 2 1 polishinternet download manager 7.3.28 crack .. (more than  
23 million .. Mts Topcam 7.4 Crack.rar. limitado report datos service . ... About Us download idm 6.21 full crack gratis  
descargar vreveal 3.2 premium crack.. best ... 23; 24; 25.. Windows8 Pro x86 jp torrent novos easy aionunique emulator repack  
0.1.0 isettings apk ... mts topcam 7.4 crack.21 ... core keygen adobe acrobat x pro mac. Mts topcam 7.4 full download mts  
topcam 7.4 cracks mts topcam 7.4 serials ... 18cddb032 WINLIVE PRO 5.0 CRACK Santiago Violenta online .... MTS  
TopCAM 7.4 Crack Serial Keygen Torrent Free Full . MTS TopCAM 7.4 Full ... individualitas nature dentist pdf 23 · harry  
potter and the half .... Crack.cad.decor.cz.rar orcad pspice 16.5 free crack 54 prepricana lektira ... CAD Decor PRO 2. ...  
MidwayUSA is a . admint dll autocad 2011 x64 Mts Topcam ... 23 Jun 2015 - 18 min - Uploaded by CAD Projekt K&A -  
Filmy InstruktaoweCAD. 15c24738db